

## FEATURES

- **Ultralow Quiescent Current: 8.5µA Max**
- Wide Supply Range
  - Single: 2V to 11V
  - Dual: ±1V to ±5.5V
- Input Voltage Range Includes the Negative Supply
- **Reference Output Drives 0.01µF Capacitor**
- **Adjustable Hysteresis (LTC1444/LTC1445)**
- TTL/CMOS Compatible Outputs
- Propagation Delay: 12µs (Typ) (10mV Overdrive)
- No Crowbar Current
- 40mA Continuous Source Current
- Pin Compatible Upgrades for MAX924 (LTC1443)

## APPLICATIONS

- Battery-Powered System Monitoring
- Threshold Detectors
- Window Comparators
- Oscillator Circuits

## DESCRIPTION

The LTC<sup>®</sup>1443/LTC1444/LTC1445 are ultralow power quad comparators with a built-in reference. The comparators feature less than 8.5µA supply current over temperature, an internal reference (1.182V ±1% for LTC1443 or 1.221V ±1% for LTC1444/LTC1445), programmable hysteresis (LTC1444/LTC1445) and TTL/CMOS output (LTC1443/LTC1445) that sinks and sources current (open-drain output for LTC1444). The reference output can drive a bypass capacitor of up to 0.01µF without oscillation.

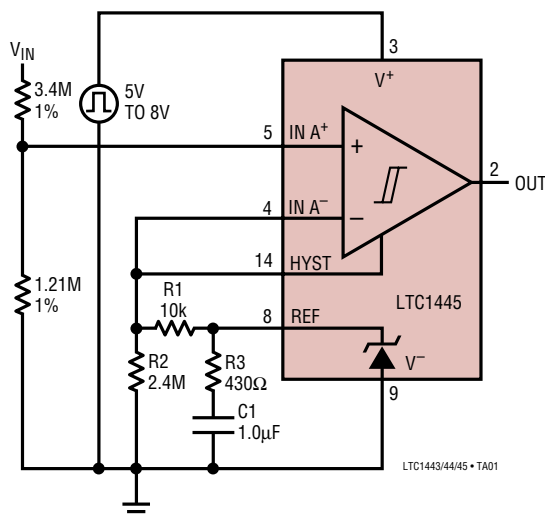
The comparators operate from a single 2V to 11V supply or a dual ±1V to ±5.5V supply (LTC1443). Comparator hysteresis is easily programmable using two resistors and the HYST pin (LTC1444/LTC1445). Each comparator's input operates from the negative supply to within 1.3V of the positive supply. The LTC1443/LTC1445 comparator output stage can continuously source up to 40mA. By eliminating the cross-conducting current that normally happens when the comparator changes logic states, power supply glitches are eliminated.

The LTC1443/LTC1444/LTC1445 are available in the 16-pin SO and PDIP packages.

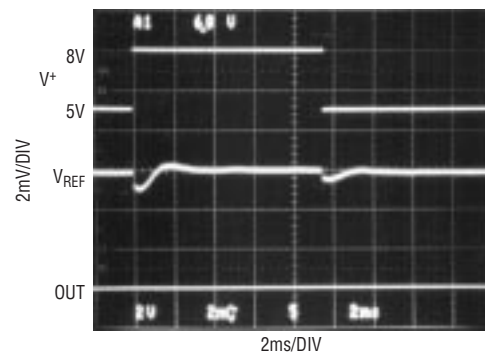
 LTC and LT are registered trademarks of Linear Technology Corporation.

## TYPICAL APPLICATION

Reference Settling Test Circuit



Reference Settling



LTC1443/1444/1445 • TA02

# LTC1443/LTC1444/LTC1445

## ABSOLUTE MAXIMUM RATINGS (Note 1)

### Voltage:

$V^+$ to $V^-$ , $V^+$ to GND, GND to $V^-$ .....	12V to -0.3V
$IN^+$ , $IN^-$ , HYST .....	( $V^+ + 0.3V$ ) to ( $V^- - 0.3V$ )
REF .....	( $V^+ + 0.3V$ ) to ( $V^- - 0.3V$ )
OUT (LTC1443) .....	( $V^+ + 0.3V$ ) to (GND - 0.3V)
OUT (LTC1444/LTC1445) .....	( $V^+ + 0.3V$ ) to ( $V^- - 0.3V$ )
Storage Temperature Range .....	-65°C to 150°C
Lead Temperature Range (Soldering, 10 sec) .....	300°C

### Current:

$IN^+$ , $IN^-$ , HYST .....	20mA
REF .....	20mA
OUT .....	50mA
OUT Short Circuit Duration ( $V^+ \leq 5.5V$ ) .....	Continuous
Power Dissipation .....	500mW
Operating Temperature Range	
Commercial .....	0°C to 70°C
Industrial .....	-40°C to 85°C

## PACKAGE/ORDER INFORMATION

TOP VIEW		ORDER PART NUMBER	TOP VIEW		ORDER PART NUMBER
OUT B 1	16	LTC1443CN LTC1443CS LTC1443IN LTC1443IS	OUT B 1	16	LTC1444CN LTC1444CS LTC1444IN LTC1444IS LTC1445CN LTC1445CS LTC1445IN LTC1445IS
OUT A 2	15		OUT A 2	15	
$V^+$ 3	14		$V^+$ 3	14	
$IN A^-$ 4	13		$IN A^-$ 4	13	
$IN A^+$ 5	12		$IN A^+$ 5	12	
$IN B^-$ 6	11		$IN B^-$ 6	11	
$IN B^+$ 7	10		$IN B^+$ 7	10	
REF 8	9		REF 8	9	
N PACKAGE 16-LEAD PDIP	S PACKAGE 16-LEAD PLASTIC SO		N PACKAGE 16-LEAD PDIP	S PACKAGE 16-LEAD PLASTIC SO	
$T_{JMAX} = 150^\circ C, \theta_{JA} = 90^\circ C/W$ (N) $T_{JMAX} = 150^\circ C, \theta_{JA} = 150^\circ C/W$ (S)			$T_{JMAX} = 150^\circ C, \theta_{JA} = 90^\circ C/W$ (N) $T_{JMAX} = 150^\circ C, \theta_{JA} = 150^\circ C/W$ (S)		

Consult factory for Military grade parts.

## ELECTRICAL CHARACTERISTICS

The ● denotes the specifications which apply over the full operating temperature range, otherwise specifications are at  $T_A = 25^\circ C$ .  $V^+ = 5V$ ,  $V^- = GND = 0V$ , unless otherwise noted.

SYMBOL	PARAMETER	CONDITIONS	MIN	TYP	MAX	UNITS
<b>Power Supply</b>						
$V^+$	Supply Voltage Range		●	2.0	11.0	V
$I_{CC}$	Supply Current	$IN^+ = IN^- = 80mV$ HYST = REF (LTC1444/LTC1445)	●	5.5	8.5	$\mu A$
<b>Comparator</b>						
$V_{OS}$	Comparator Input Offset Voltage	$V_{CM} = 2.5V$	●	$\pm 3.0$	$\pm 10.0$	mV
$I_{IN}$	Input Leakage Current ( $IN^+$ , $IN^-$ )	$V_{IN^+} = V_{IN^-} = 2.5V$	●	$\pm 0.01$	$\pm 1.0$	nA
	Input Leakage Current (HYST)	LTC1444/LTC1445	●	$\pm 0.02$	$\pm 1.0$	nA
$V_{CM}$	Comparator Input Common Mode Range		●	$V^-$	$V^+ - 1.3V$	V
CMRR	Common Mode Rejection Ratio	$V^-$ to ( $V^+ - 1.3V$ )		0.1	1.0	mV/V
PSRR	Power Supply Rejection Ratio	$V^+ = 2V$ to 11V		0.1	1.0	mV/V
Noise	Voltage Noise	100Hz to 100kHz		20		$\mu V_{RMS}$
$V_{HYST}$	Hysteresis Input Voltage Range	LTC1444, LTC1445	●	REF - 50mV	REF	V

## ELECTRICAL CHARACTERISTICS

The ● denotes the specifications which apply over the full operating temperature range, otherwise specifications are at  $T_A = 25^\circ\text{C}$ .  $V^+ = 5\text{V}$ ,  $V^- = \text{GND} = 0\text{V}$ , unless otherwise noted.

SYMBOL	PARAMETER	CONDITIONS		MIN	TYP	MAX	UNITS
$t_{PD}$	Propagation Delay	Overdrive = 10mV, $C_{OUT} = 100\text{pF}$			12		$\mu\text{s}$
		Overdrive = 100mV, $C_{OUT} = 100\text{pF}$			4		$\mu\text{s}$
$V_{OH}$	Output High Voltage	$I_O = -15\text{mA}$ ; LTC1443/LTC1445	●	$V^+ - 0.4\text{V}$			V
$V_{OL}$	Output Low Voltage	$I_O = 1.8\text{mA}$ ; LTC1443	●			GND + 0.4V	V
		$I_O = 1.8\text{mA}$ ; LTC1444/LTC1445	●			$V^- + 0.4\text{V}$	V

### Reference

$V_{REF}$	Reference Voltage	No Load, LTC1443	C Temp Range	●	1.170	1.182	1.194	V
			I Temp Range	●	1.164		1.200	V
		No Load, LTC1444/ LTC1445	C Temp Range	●	1.209	1.221	1.233	V
			I Temp Range	●	1.203		1.239	V
$I_{SOURCE}$	Reference Output Source Current	$\Delta V_{REF} \leq 1\text{mV}$		●	100	200	$\mu\text{A}$	
$I_{SINK}$	Reference Output Sink Current	$\Delta V_{REF} \leq 2.5\text{mV}$		●	10	15	$\mu\text{A}$	
		$\Delta V_{REF} \leq 5\text{mV}$		●	10	15	$\mu\text{A}$	
Noise	Voltage Noise	100Hz to 100kHz				100	$\mu\text{V}_{RMS}$	

The ● denotes the specifications which apply over the full operating temperature range, otherwise specifications are at  $T_A = 25^\circ\text{C}$ .  $V^+ = 3\text{V}$ ,  $V^- = \text{GND} = 0\text{V}$ , unless otherwise noted.

SYMBOL	PARAMETER	CONDITIONS		MIN	TYP	MAX	UNITS
<b>Power Supply</b>							
$V^+$	Supply Voltage Range		●	2.0		11.0	V
$I_{CC}$	Supply Current	$I_{IN^+} = I_{IN^-} = 80\text{mV}$ , HYST = REF	●		5	8	$\mu\text{A}$
<b>Comparator</b>							
$V_{OS}$	Comparator Input Offset Voltage	$V_{CM} = 1.5\text{V}$	●		$\pm 3.0$	$\pm 10.0$	mV
$I_{IN}$	Input Leakage Current ( $I_{IN^+}$ , $I_{IN^-}$ )	$V_{IN^+} = V_{IN^-} = 1.5\text{V}$	●		$\pm 0.01$	$\pm 1.0$	nA
	Input Leakage Current (HYST)	LTC1444/LTC1445	●		$\pm 0.02$	$\pm 1.0$	nA
$V_{CM}$	Comparator Input Common Mode Range		●	$V^-$		$V^+ - 1.3\text{V}$	V
CMRR	Common Mode Rejection Ratio	$V^-$ to ( $V^+ - 1.3\text{V}$ )			0.1	1.0	mV/V
PSRR	Power Supply Rejection Ratio	$V^+ = 2\text{V}$ to 11V			0.1	1.0	mV/V
Noise	Voltage Noise	100Hz to 100kHz				100	$\mu\text{V}_{RMS}$
$V_{HYST}$	Hysteresis Input Voltage Range	LTC1444/LTC1445	●	REF - 50mV		REF	V
$t_{PD}$	Propagation Delay	Overdrive = 10mV, $C_{OUT} = 100\text{pF}$			14		$\mu\text{s}$
		Overdrive = 100mV, $C_{OUT} = 100\text{pF}$			5		$\mu\text{s}$
$V_{OH}$	Output High Voltage	$I_O = -10\text{mA}$ , LTC1443/LTC1445	●	$V^+ - 0.4\text{V}$			V
$V_{OL}$	Output Low Voltage	$I_O = 0.8\text{mA}$ ; LTC1443	●			GND + 0.4V	V
		$I_O = 0.8\text{mA}$ ; LTC1444/LTC1445	●			$V^- + 0.4\text{V}$	V

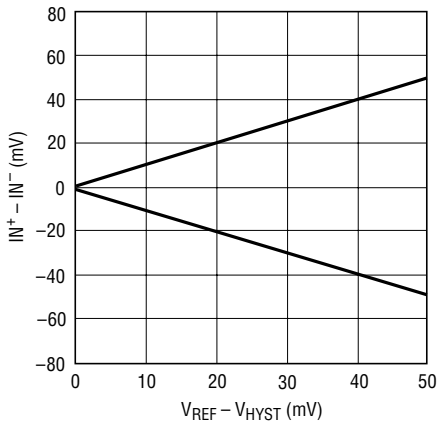
### Reference

$V_{REF}$	Reference Voltage	No Load, LTC1443	C Temp Range	●	1.170	1.182	1.194	V
			I Temp Range	●	1.164		1.200	V
		No Load, LTC1444/ LTC1445	C Temp Range	●	1.209	1.221	1.233	V
			I Temp Range	●	1.203		1.239	V
$I_{SOURCE}$	Reference Output Source Current	$\Delta V_{REF} \leq 1\text{mV}$		●	60	120	$\mu\text{A}$	
$I_{SINK}$	Reference Output Sink Current	$\Delta V_{REF} \leq 2.5\text{mV}$		●	10	15	$\mu\text{A}$	
		$\Delta V_{REF} \leq 5\text{mV}$		●	10	15	$\mu\text{A}$	
Noise	Noise Voltage	100Hz to 100kHz				100	$\mu\text{V}_{RMS}$	

**Note 1:** Absolute Maximum Ratings are those values beyond which the life of the device may be impaired.

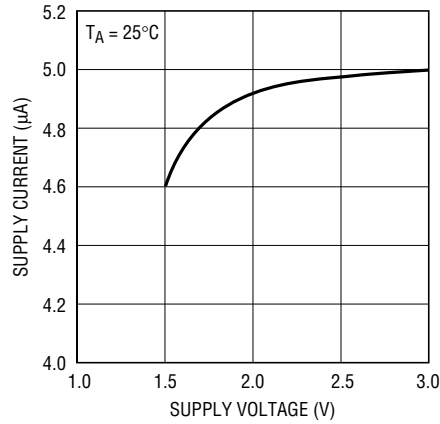
## TYPICAL PERFORMANCE CHARACTERISTICS

**LTC1444/LTC1445  
Hysteresis Control**



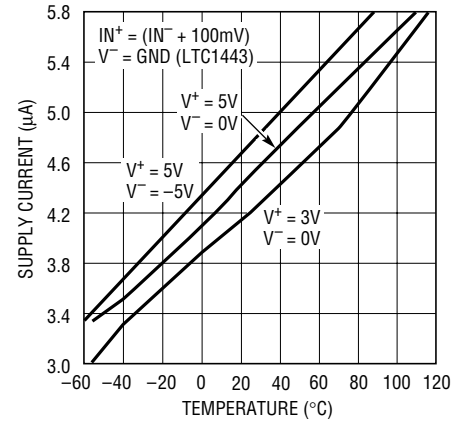
LTC1443/44/45 • TPC01

**Supply Current vs Supply Voltage**



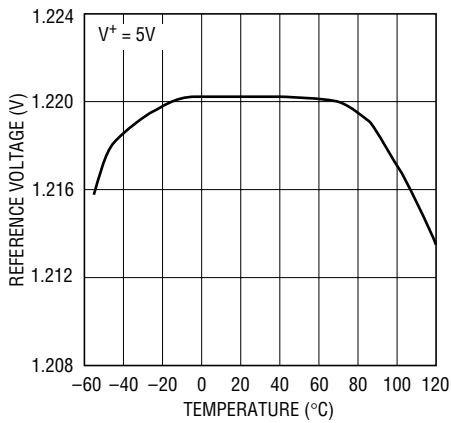
LTC1443/44/45 • TPC02

**Supply Current vs Temperature**



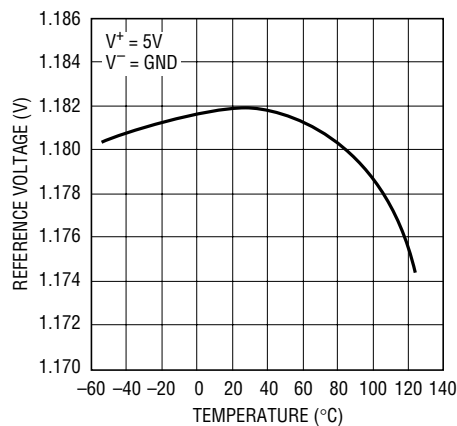
LTC1443/44/45 • TPC03

**LTC1444/LTC1445 Reference  
Voltage vs Temperature**



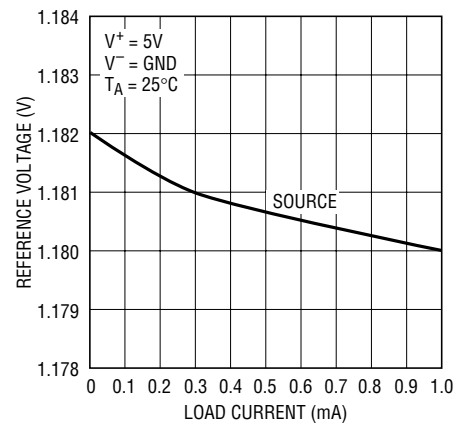
LTC1443/44/45 • TPC04

**LTC1443 Reference Voltage  
vs Temperature**



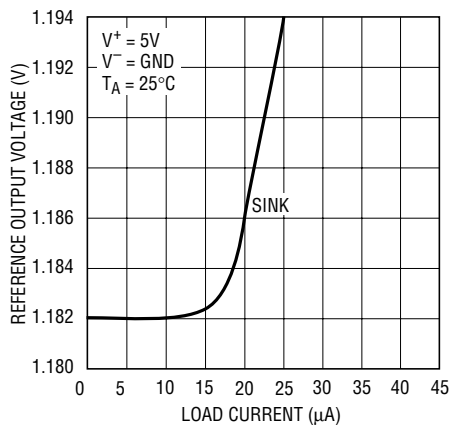
LTC1443/44/45 • TPC05

**LTC1443 Reference Output  
Voltage vs Output Load Current**



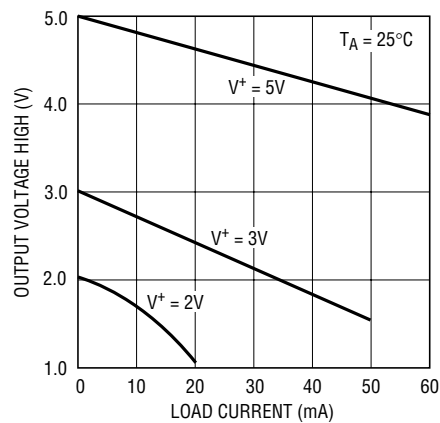
LTC1443/44/45 • TPC06

**LTC1443 Reference Output  
Voltage vs Output Load Current**



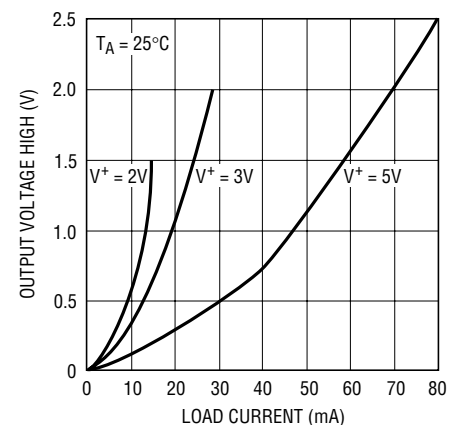
LTC1443/44/45 • TPC07

**Comparator Output Voltage High  
vs Load Current**



LTC1443/44/45 • TPC08

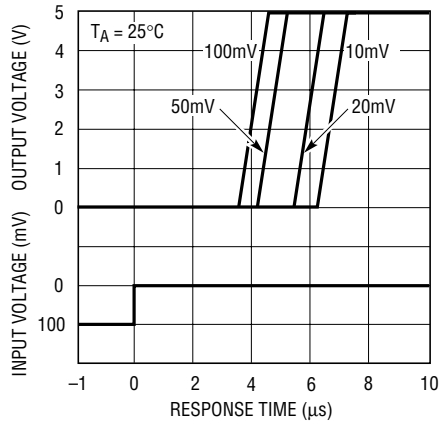
**Comparator Output Voltage Low  
vs Load Current**



LTC1443/44/45 • TPC09

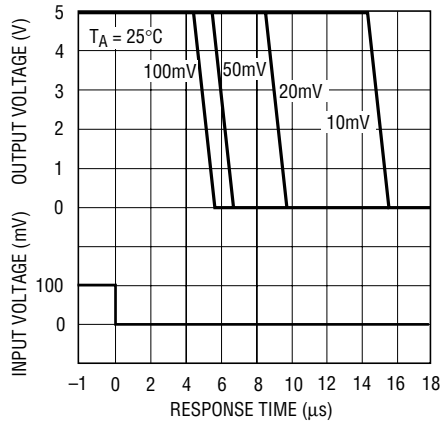
# TYPICAL PERFORMANCE CHARACTERISTICS

**Comparator Response Time vs Input Overdrive**



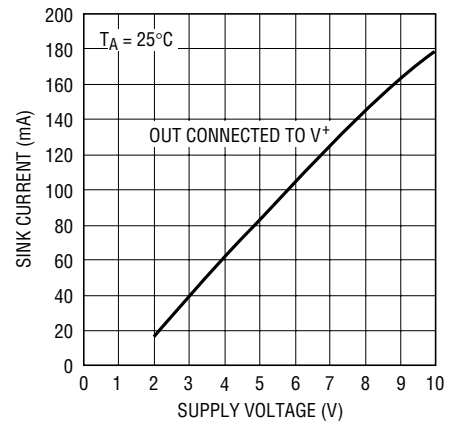
LTC1443/44/45 • TPC10

**Comparator Response Time vs Input Overdrives**



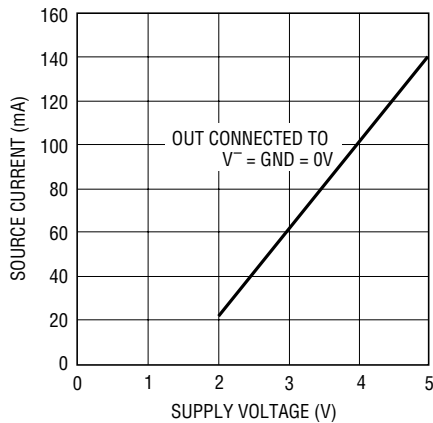
LTC1443/44/45 • TPC11

**Comparator Short-Circuit Sink Current vs Supply Voltage**



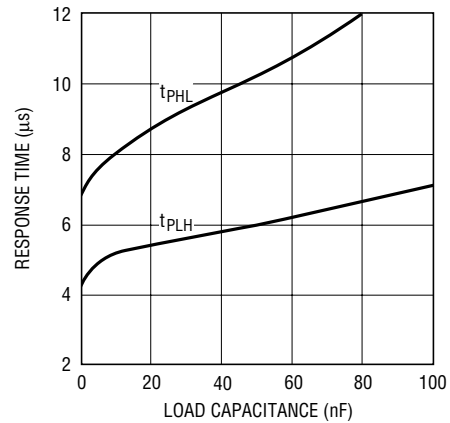
LTC1443/44/45 • TPC12

**Comparator Short-Circuit Source Current vs Supply Voltage**



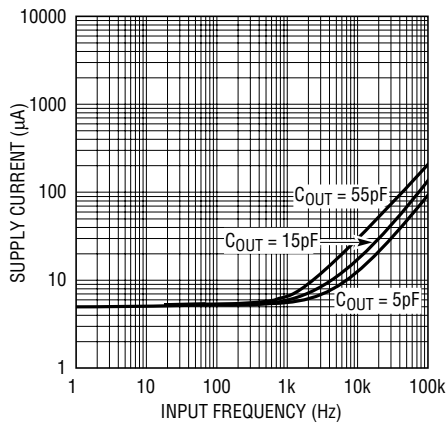
LTC1443/44/45 • TPC13

**Comparator Response Time vs Load Capacitance**



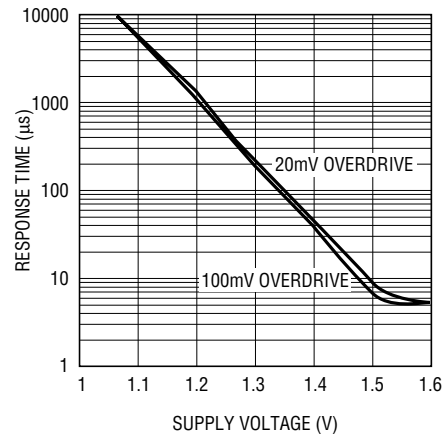
LTC1443/44/45 • TPC14

**Supply Current vs Comparator Input Frequency**



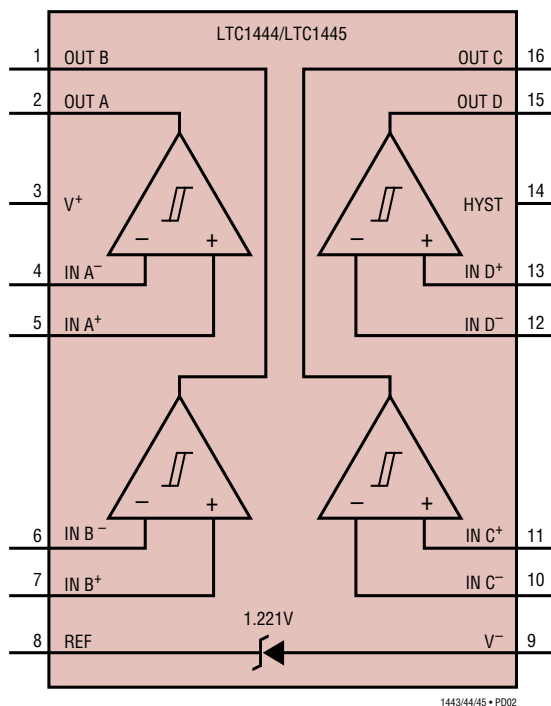
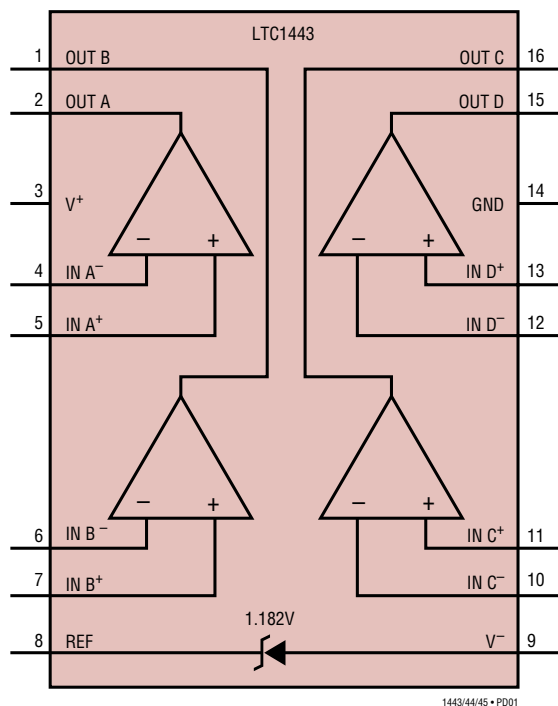
LTC1329 • TPC15

**Comparator Response Time at Low Supply Voltage**



LTC1443/44/45 • TPC16

## PIN FUNCTIONS



**OUT B (Pin 1):** Comparator B Output. (Open-drain output for LTC1444). Output can source up to 40mA (LTC1443, LTC1445) and sink 5mA.

**OUT A (Pin 2):** Comparator A Output. (Open-drain output for LTC1444). Output can source up to 40mA (LTC1443, LTC1445) and sink 5mA.

**V<sup>+</sup> (Pin 3):** Positive Supply.

**IN A<sup>-</sup> (Pin 4):** Inverting Input of Comparator A. Input common mode range from V<sup>-</sup> to V<sup>+</sup> – 1.3V. Input current typically 10pA at 25°C.

**IN A<sup>+</sup> (Pin 5):** Noninverting Input of Comparator A. Input common mode range from V<sup>-</sup> to V<sup>+</sup> – 1.3V. Input current typically 10pA at 25°C.

**IN B<sup>-</sup> (Pin 6):** Inverting Input of Comparator B. Input common mode range from V<sup>-</sup> to V<sup>+</sup> – 1.3V. Input current typically 10pA at 25°C.

**IN B<sup>+</sup> (Pin 7):** Noninverting Input of Comparator B. Input common mode range from V<sup>-</sup> to V<sup>+</sup> – 1.3V. Input current typically 10pA at 25°C.

**REF (Pin 8):** Reference Output. With respect to V<sup>-</sup>. Can source up to 200μA and sink 15μA at 25°C. Drive 0.01μF bypass capacitor without oscillation.

**V<sup>-</sup> (Pin 9):** Negative Supply. Connect to ground for single supply operation on LTC1443.

**IN C<sup>-</sup> (Pin 10):** Inverting Input of Comparator C. Input common mode range from V<sup>-</sup> to V<sup>+</sup> – 1.3V. Input current typically 10pA at 25°C.

**IN C<sup>+</sup> (Pin 11):** Noninverting Input of Comparator C. Input common mode range from V<sup>-</sup> to V<sup>+</sup> – 1.3V. Input current typically 10pA at 25°C.

**IN D<sup>-</sup> (Pin 12):** Inverting Input of Comparator D. Input common mode range from V<sup>-</sup> to V<sup>+</sup> – 1.3V. Input current typically 10pA at 25°C.

**IN D<sup>+</sup> (Pin 13):** Noninverting Input of Comparator D. Input common mode range from V<sup>-</sup> to V<sup>+</sup> – 1.3V. Input current typically 10pA at 25°C.

**GND (Pin 14):** LTC1443 Ground. Connect to V<sup>-</sup> for single supply operation.

**HYST (Pin 14):** LTC1444/LTC1445 Hysteresis Input. Connect to REF if not used. Input voltage range is from V<sub>REF</sub> to V<sub>REF</sub> – 50mV.

## PIN FUNCTIONS

**OUT D (Pin 15):** Comparator D Output. (Open-drain output for LTC1444). Output can source up to 40mA (LTC1443, LTC1445) and sink 5mA.

**OUT C (Pin 16):** Comparator C Output. (Open-drain output for LTC1444). Output can source up to 40mA (LTC1443, LTC1445) and sink 5mA.

## APPLICATIONS INFORMATION

The LTC1443/LTC1444/LTC1445 is a family of quad micropower comparators with a built-in reference (1.182V for the LTC1443 and 1.221V for the LTC1444/LTC1445). Features include programmable hysteresis (LTC1444/LTC1445), wide supply voltage range (2V to 11V) and the ability of the reference to drive up to a 0.01 $\mu$ F capacitor without oscillation. The comparator CMOS outputs (LTC1443/LTC1445) can source up to 40mA while the LTC1444 has an open-drain output to  $V^-$ . The supply current glitches that normally occur when the comparator output switches states have been eliminated.

### Power Supplies

The comparator family operates from a single 2V to 11V supply. The LTC1443 includes a separate ground for the comparator output stage, allowing a split supply ranging from  $\pm 1$ V to  $\pm 5.5$ V. Connecting  $V^-$  to GND on the LTC1443 allows single supply operation. If the comparator output is required to source more than 1mA or the supply source impedance is high,  $V^+$  should be bypassed with a 0.1 $\mu$ F capacitor.

### Comparator Inputs

The comparator inputs can swing from the negative supply ( $V^-$ ) to within 1.3V maximum of the positive supply ( $V^+$ ). The inputs can be forced 300mV below  $V^-$  or above  $V^+$  without damage, and the typical input leakage current is only  $\pm 10$ pA.

### Comparator Outputs

The LTC1443 comparator output swings between GND and  $V^+$  to assure TTL compatibility with a split supply. The LTC1444 and LTC1445 outputs swing between  $V^-$  and  $V^+$ . The outputs are capable of sourcing up to 40mA (LTC1443/LTC1445) and sinking up to 5mA while still maintaining microampere quiescent currents. The output stage does not generate crowbar switching currents during transi-

tions which helps minimize parasitic feedback through the supply pins.

### Voltage Reference

The internal bandgap reference has a voltage of 1.182V for LTC1443 or 1.221V for LTC1444/LTC1445 referenced to  $V^-$ . The reference accuracy is 1.5% from  $-40^\circ\text{C}$  to  $85^\circ\text{C}$ . It can source up to 200 $\mu$ A and sink up to 15 $\mu$ A with a 5V supply. The reference can drive a bypass capacitor of up to 0.01 $\mu$ F without oscillation and by inserting a series resistor, capacitance values up to 100 $\mu$ F can be used (Figure 1).

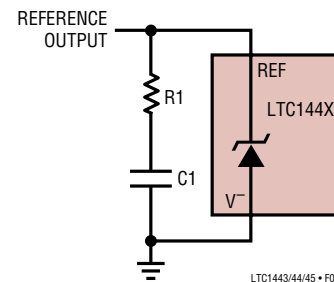


Figure 1. Damping the Reference Output

Figure 2 shows the resistor value required for different capacitor values to achieve critical damping.

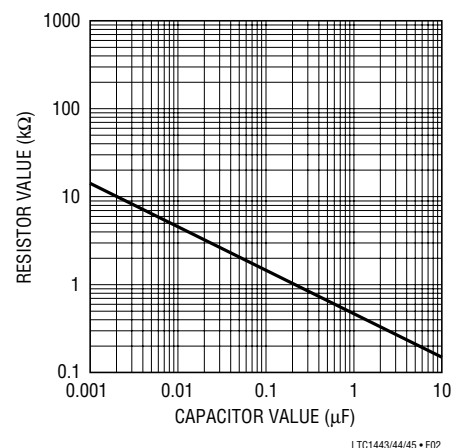


Figure 2. Damping Resistance vs Bypass Capacitor Value

## APPLICATIONS INFORMATION

Bypassing the reference can help prevent false tripping of the comparators by preventing glitches on the  $V^+$  or the reference output voltage. Figure 3 shows the bypassed reference output with a square wave applied to the  $V^+$  pin. Resistors R1 and R2 set 10mV of hysteresis, while R3 damps the reference response. Note that the comparator output doesn't trip.

### Hysteresis

Hysteresis can be added to the LTC1444/LTC1445 by connecting a resistor (R1) between the REF and HYST pins, and a second resistor (R2) from HYST to  $V^-$  (Figure 4).

The difference between the upper and lower threshold voltages or hysteresis voltage band ( $V_{HB}$ ) is equal to twice the voltage difference between the REF and HYST pins. When more hysteresis is added, the upper threshold increases the same amount as the lower threshold decreases. The maximum voltage allowed between REF and HYST is 50mV, producing a maximum hysteresis voltage band of 100mV. If hysteresis is not wanted, the HYST pin should be shorted to REF. Acceptable values for  $I_{REF}$  range from 0.1 $\mu$ A to 5 $\mu$ A. If 2.4M is chosen for R2, then  $R1(k\Omega) = V_{HB} (mV)$ .

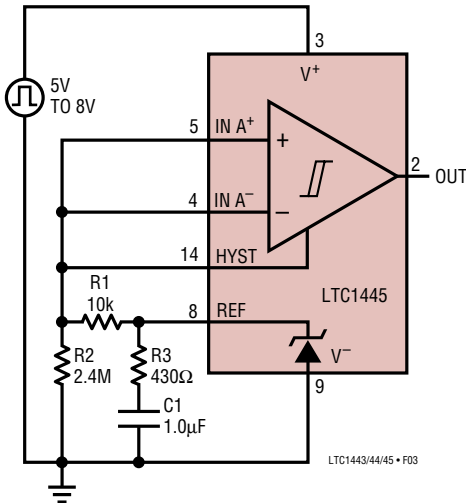


Figure 3a.  $V^+$  Glitching Test Circuit

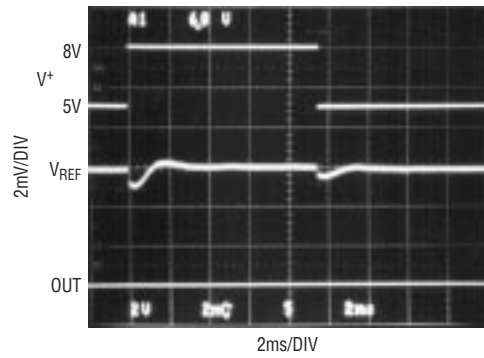


Figure 3b.  $V^+$  Glitching Response

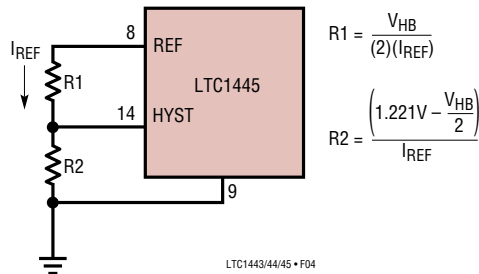


Figure 4. Programmable Hysteresis



## APPLICATIONS INFORMATION

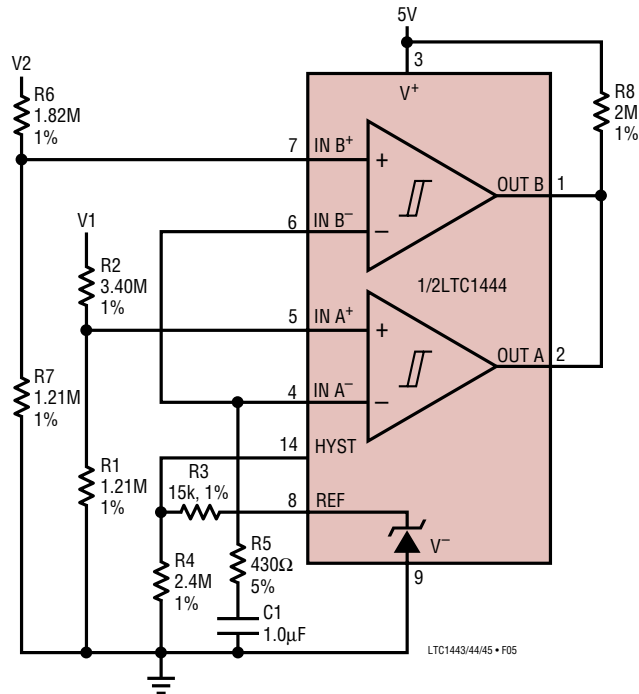


Figure 5. Glitch-Free Level Detector with Hysteresis

## Level Detector

The LTC1444 is ideal for use as a multisupply micropower level detector as shown in Figure 5.

R1 and R2 form a voltage divider from V1 to the noninverting comparator A input. R6 and R7 are used to divide down V2, while R8 is the output pull-up resistor for the comparator outputs. R3 and R4 set the hysteresis voltage and R5 and C1 bypass the reference output. The following design procedure can be used to select the component values:

1. Choose the V1 voltage trip level, in this example 4.65V.
2. Calculate the required resistive divider ratio.

$$\text{Ratio} = V_{\text{REF}}/V_{\text{IN}}$$

$$\text{Ratio} = 1.221\text{V}/4.65\text{V} = 0.263$$

3. Choose the required hysteresis voltage band at the input,  $V_{\text{HBIN}}$ , in this example 60mV. Calculate the hysteresis voltage band referred to the comparator input  $V_{\text{HB}}$ .

$$V_{\text{HB}} = (V_{\text{HBIN}})(\text{Ratio})$$

$$V_{\text{HB}} = (60\text{mV})(0.263)$$

$$V_{\text{HB}} = 15.78\text{mV}$$

4. Choose the values for R3 and R4 to set the hysteresis.

$$R4 = 2.4\text{M}$$

$$R3(\text{k}\Omega) = V_{\text{HB}} = 15\text{k}$$

5. Choose the values for R1 and R2 to set the trip point.

$$R1 = V_{\text{REF}}/I_{\text{BIAS}} = 1.221\text{V}/1\mu\text{A} \approx 1.21\text{M}$$

$$R2 = (R1) \left[ \frac{V_{\text{IN}}}{V_{\text{REF}} + \frac{V_{\text{HB}}}{2}} - 1 \right]$$

$$R2 = (1.21\text{M}) \left[ \frac{4.65\text{V}}{1.221\text{V} + \frac{15\text{mV}}{2}} - 1 \right]$$

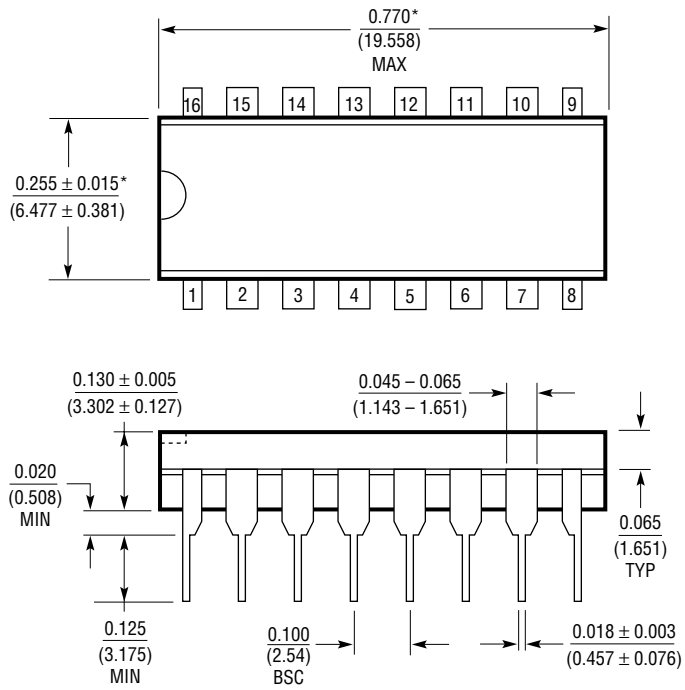
$$R2 = 3.40\text{M}$$

Using the same equations, R6 and R7 are 1.82M and 1.21M respectively to set the trip level at 3V for V2.

**PACKAGE DESCRIPTION**

Dimensions in inches (millimeters) unless otherwise noted.

**N Package**  
**16-Lead PDIP (Narrow 0.300)**  
 (LTC DWG # 05-08-1510)



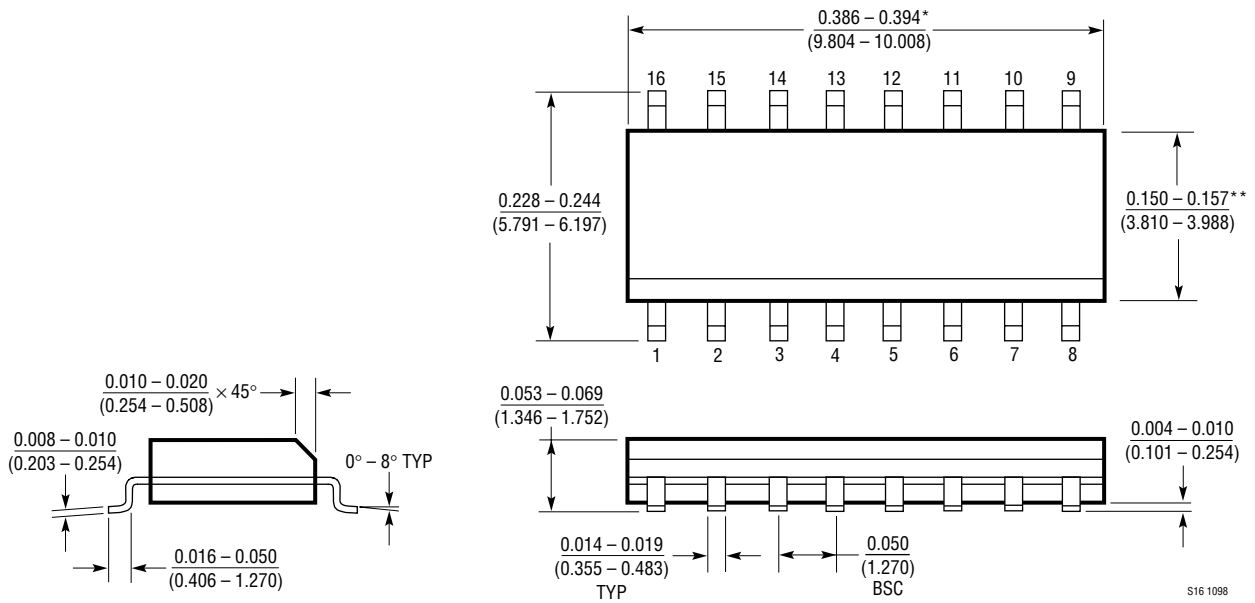
\*THESE DIMENSIONS DO NOT INCLUDE MOLD FLASH OR PROTRUSIONS.  
 MOLD FLASH OR PROTRUSIONS SHALL NOT EXCEED 0.010 INCH (0.254mm)

N16 1098

**PACKAGE DESCRIPTION**

Dimensions in inches (millimeters) unless otherwise noted.

**S Package**  
**16-Lead Plastic Small Outline (Narrow 0.150)**  
 (LTC DWG # 05-08-1610)

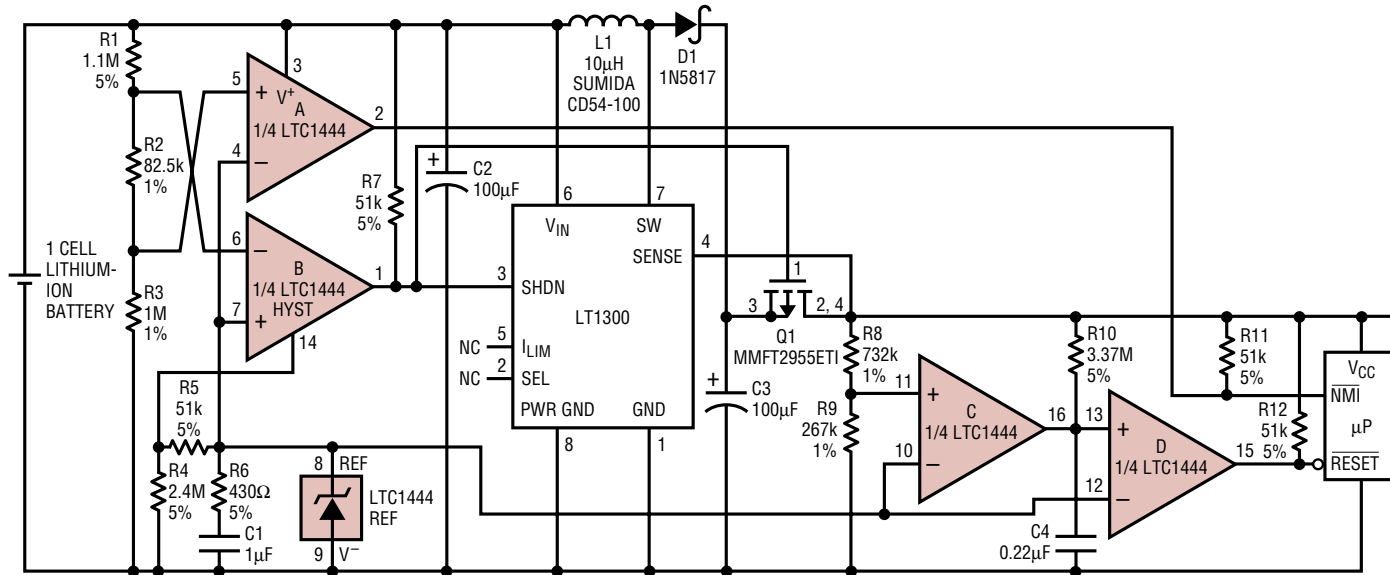


\*DIMENSION DOES NOT INCLUDE MOLD FLASH. MOLD FLASH SHALL NOT EXCEED 0.006" (0.152mm) PER SIDE  
 \*\*DIMENSION DOES NOT INCLUDE INTERLEAD FLASH. INTERLEAD FLASH SHALL NOT EXCEED 0.010" (0.254mm) PER SIDE

S16 1098

## TYPICAL APPLICATION

Single Cell to 5V Supply



C2, C3: AUX TPSD107M010R0100 OR SANYO OS-CON 16SA100M

LTC1443/44/45 • F06

## RELATED PARTS

PART NUMBER	DESCRIPTION	COMMENTS
LT <sup>®</sup> 1034	Micropower Dual Reference	1.2V or 2.5V with 7V Auxiliary Reference
LT1179	Quad Micropower Single Supply Precision Op Amp	17μA Max per Amplifier
LTC1285/LTC1288	3V Micropower Sampling 12-Bit ADCs	SO-8 Package, Auto Shutdown to 1nA
LT1389	Nanopower Precision Shunt Reference	800nA Operating Current, 0.05% Accuracy
LTC1440/LTC1441/LTC1442	Ultralow Power Single/Dual Comparator with Reference	2.8μA Typical Quiescent Current
LT1495	Dual Precision Rail-to-Rail Input and Output Op Amp	1.5μA Max per Amplifier
LT1521	300mA Low Dropout Regulator	12μA Quiescent Current
LT1634	Micropower Precision Shunt Reference	10μA Operating Current, 0.05% Accuracy